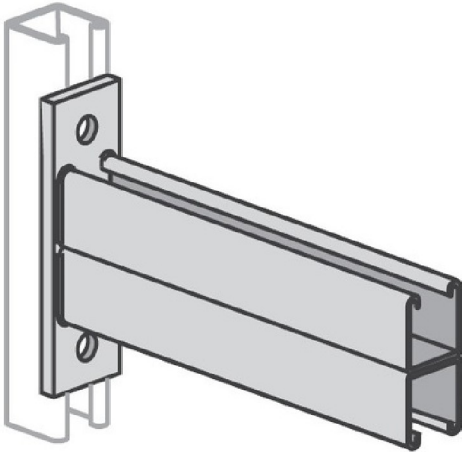




**Fig. SB-809 PLTD**  
Double Channel Bracket



**Material:** Electro-galvanized carbon steel.  
Also available in 316 stainless steel.

**Dimensions:** 1-5/8" x 1-5/8" x 12 Ga Strut  
3/8" x 2" x 6-1/4"

**Hole Dimensions:** Two 9/16" Mounting Holes

Part Number	Std Pkg	Weight (per 100 pcs)
SB-809-12"	As Required	490
SB-809-18"	As Required	670
SB-809-24"	As Required	860
SB-809-30"	As Required	1050
SB-809-36"	As Required	1240

Project Information		Approval Stamp
Project:		Notes:
Address:	Contractor:	
Date:	Engineer:	
Approved <input type="checkbox"/>	Approved as Noted <input type="checkbox"/>	Not Approved <input type="checkbox"/>