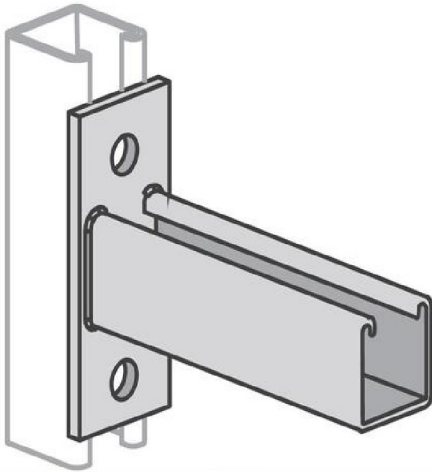




**Fig. SB-651 PLTD**  
Single Channel Reversible Bracket



**Material:** Electro-galvanized carbon steel.  
Also available in 316 stainless steel.

**Dimensions:** 1-5/8" x 1-5/8" x 12 Ga Strut  
1/4" x 2" x 4-7/8"

**Hole Dimensions:** Two 9/16" Mounting Holes

Part Number	Std Pkg	Weight (per 100 pcs)
SB-651-6"	As Required	185
SB-651-12"	As Required	293
SB-651-15"	As Required	-
SB-651-18"	As Required	401
SB-651-24"	As Required	509
SB-651-30"	As Required	-
SB-651-36"	As Required	-

Project Information		Approval Stamp
Project:		Notes:
Address:	Contractor:	
Date:	Engineer:	
Approved <input type="checkbox"/>	Approved as Noted <input type="checkbox"/>	Not Approved <input type="checkbox"/>