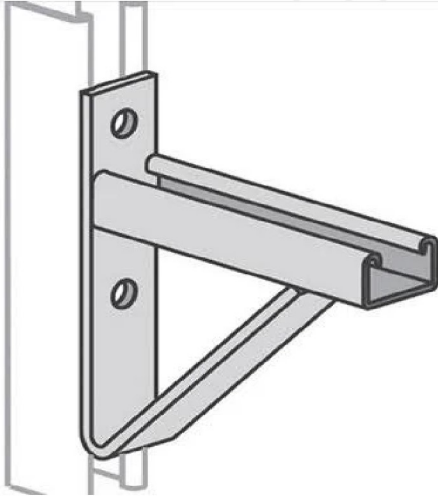




Fig. SB-3282 PLTD

Braced Cable Tray Strut Bracket



Material: Electro-galvanized carbon steel.
Also available in 316 stainless steel.

Dimensions: 1-5/8" x 1-5/8" x 12 Ga Strut
3-3/4" OC

Hole Dimensions: Two 9/16" Mounting Holes

Part Number	Std Pkg	Weight (per 100 pcs)
SB-3282-12"	As Required	388
SB-3282-18"	As Required	506
SB-3282-24"	As Required	763
SB-3282-30"	As Required	1012
SB-3282-36"	As Required	1068

Project Information		Approval Stamp
Project:		Notes:
Address:	Contractor:	
Date:	Engineer:	
Approved <input type="checkbox"/> Approved as Noted <input type="checkbox"/> Not Approved <input type="checkbox"/>		