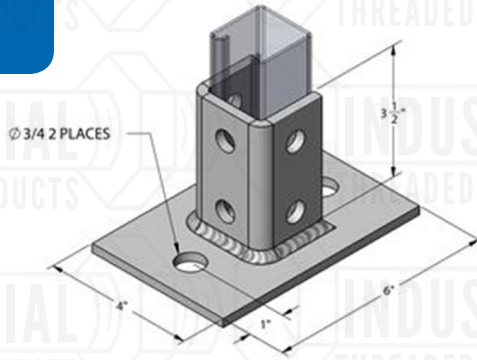




9089PB

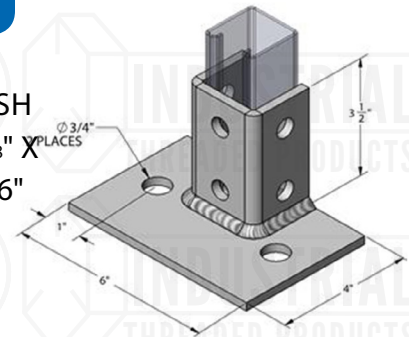
POST BASE
SQUARE FOR
1-5/8" X 1-5/8"
STRUT 4" X 6"
BASE



Material: 1/4"
Finish: Electro-Galvanized, SST 316 & 304
Hole Dim: 9/16"
Wt. Each (lbs): 3.12

9090PB

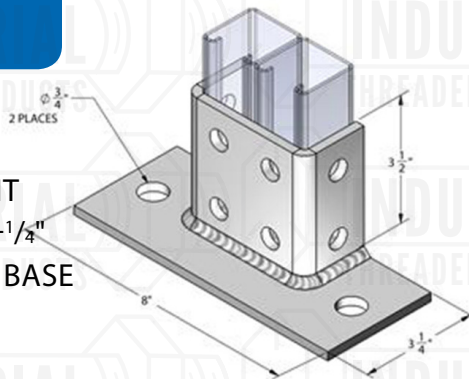
POST BASE - FLUSH
MOUNT FOR 1-5/8" X
1-5/8" STRUT 4" X 6"
BASE



Material: 1/4"
Finish: Electro-Galvanized, SST 316 & 304
Hole Dim: 9/16"
Wt. Each (lbs): 3.12

9091PB

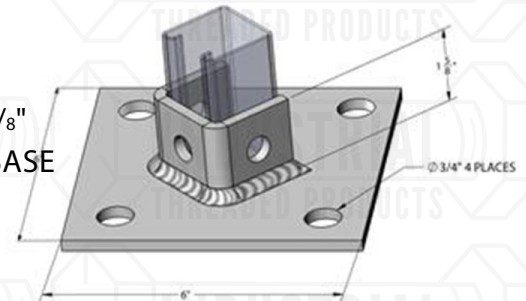
POST BASE
FLUSH MOUNT
FOR 1-5/8" X 3-1/4"
STRUT 4" X 7" BASE



Material: 1/4"
Finish: Electro-Galvanized, SST 316 & 304
Hole Dim: 9/16"
Wt. Each (lbs): 3.20

9092PB

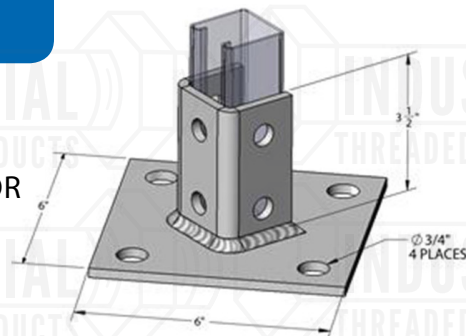
POST BASE
FOR 1-5/8" X 1-5/8"
STRUT 6" X 6" BASE



Material: 1/4"
Finish: Electro-Galvanized, SST 316 & 304
Hole Dim: 9/16"
Wt. Each (lbs): 3.20

9093PB

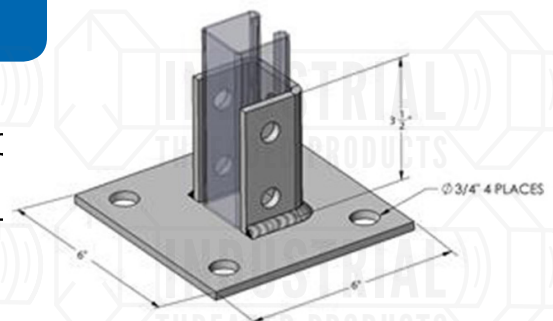
POST BASE -
DIAGONAL FOR
1-5/8" X 1-5/8"
STRUT



Material: 1/4"
Finish: Electro-Galvanized, SST 316 & 304
Hole Dim: 9/16"
Wt. Each (lbs): 3.92

9094PB

POST BASE - SC
FOR
1-5/8" X 1-5/8" ST



Material: 1/4"
Finish: Electro-Galvanized, SST 316 & 304
Hole Dim: 9/16"
Wt. Each (lbs): 3.92