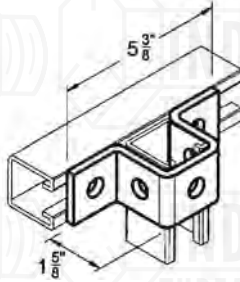




9053UF

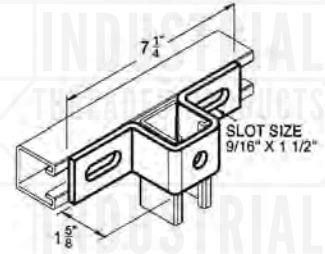
5-HOLE "U"
SUPPORT FOR
1-5/8" X 1-5/8"
STRUT



Material: 1/4"
Finish: Electro-Galvanized, SST 316 & 304
Hole Dim: 9/16"
Wt. Each (lbs): .85

9054UF

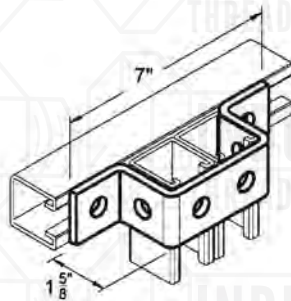
ADJUSTABLE
1-HOLE, 2 SLOT
"U" SUPPORT
FOR 1-5/8" X 1-5/8"
STRUT



Material: 1/4"
Finish: Electro-Galvanized, SST 316 & 304
Hole Dim: 9/16"
Wt. Each (lbs): 1.03

9055UF

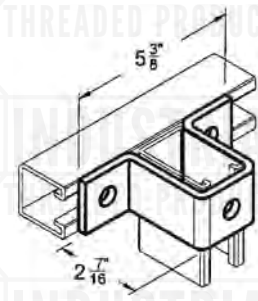
6-HOLE "U"
SUPPORT FOR
1-5/8" DOUBLE
STRUT



Material: 1/4"
Finish: Electro-Galvanized, SST 316 & 304
Hole Dim: 9/16"
Wt. Each (lbs): 1.05

9056UF

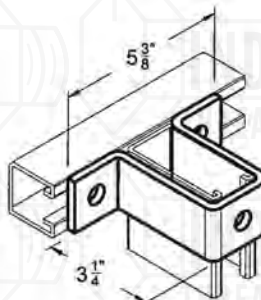
3-HOLE "U"
SUPPORT FOR
1-5/8" X 2-7/16"
STRUT



Material: 1/4"
Finish: Electro-Galvanized, SST 316 & 304
Hole Dim: 9/16"
Wt. Each (lbs): 1.08

9057UF

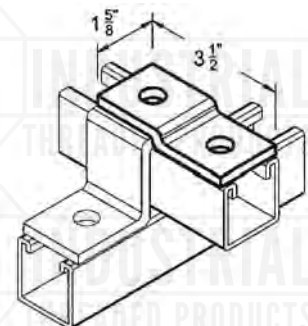
3-HOLE "U"
SUPPORT FOR
3-1/4" STRUT



Material: 1/4"
Finish: Electro-Galvanized, SST 316 & 304
Hole Dim: 9/16"
Wt. Each (lbs): 1.26

9058ZF

2-HOLE OFFSET
"Z" SUPPORT



Material: 1/4"
Finish: Electro-Galvanized, SST 316 & 304
Hole Dim: 9/16"
Wt. Each (lbs): .38