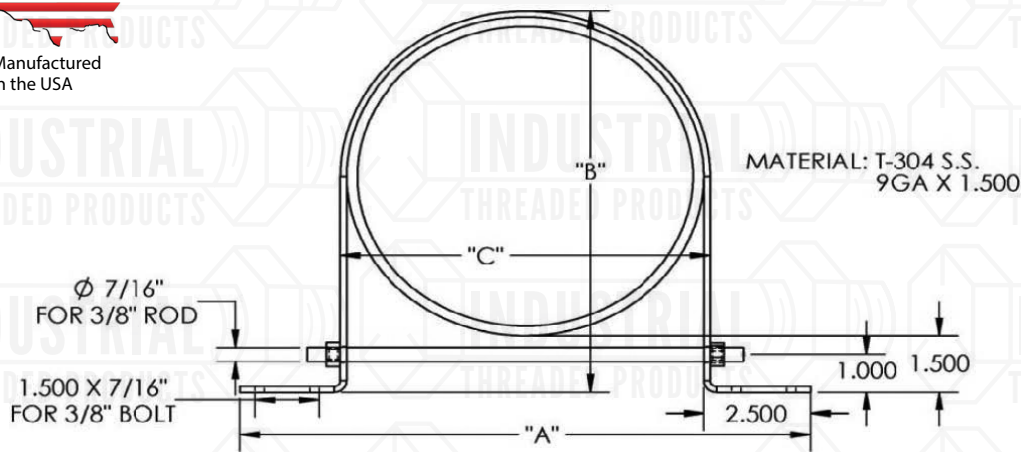


**FIG. 903
MANHOLE DROP PIPE CLAMP**

Material: Certified T-304 Stainless Steel
Service: Designed for easy installation and support of manhole drop pipe.
Ordering: Specify size, figure number and name



Manufactured in the USA



SIZE	SDR-35 PIPE OD	ROD LENGTH	"A"	"B"	"C"
4"	4.125"	5 7/8"	9.215"	5.865"	4.514"
6"	6.275"	7 5/8"	11.275"	7.925"	6.574"
8"	8.400"	10 1/4"	13.400"	10.050"	8.700"
10"	10.500"	12 1/4"	15.500"	12.150"	10.800"
12"	12.500"	14 1/4"	17.500"	14.150"	12.800"

SIZE	DIP / C-900 OD	ROD LENGTH	"A"	"B"	"C"
4"	4.800"	6 1/2"	9.800"	6.450"	5.100"
6"	6.900"	8 3/4"	11.900"	8.550"	7.200"
8"	9.050"	10 7/8"	14.050"	10.700"	9.350"
10"	11.100"	12 7/8"	16.100"	12.750"	11.400"
12"	13.200"	15"	18.200"	14.850"	13.500"

SIZE	IPS OD	ROD LENGTH	"A"	"B"	"C"
4"	4.500"	6 3/8"	9.500"	6.150"	4.800"
6"	6.625"	8"	11.625"	8.275"	6.924"
8"	8.625"	10 1/2"	13.625"	10.275"	8.924"
10"	10.750"	12 1/2"	15.750"	12.400"	11.050"
12"	12.750"	14 1/2"	17.750"	14.400"	13.050"