

8575

CONDUIT CLAMP with bolt & nut

Material: Electro-galvanized carbon steel.

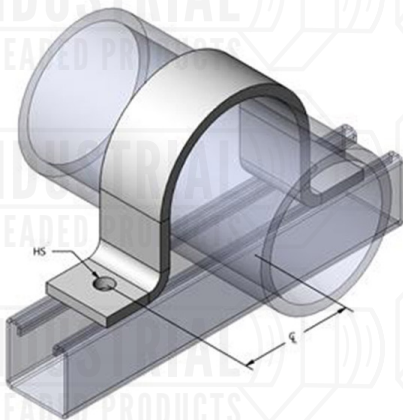


Size	FITS RIGID & PIPE SIZE	FITS EMT	A	B	C	Weight Each (lbs)
1/2"	3/8" & 1/2"	1/2"	1/4"	3/4"	1-7/8"	0.062
3/4"	3/4"	3/4"	1/4"	3/4"	2-1/8"	0.08
1"	1"	1"	1/4"	7/8"	2-9/16"	0.10
1-1/4"	1-1/4"	1-1/2"	1/4"	7/8"	3"	0.11
1-1/2"	1-1/2"	-	1/4"	1"	3-1/8"	0.12
2"	2	2"	5/16"	1-1/4"	3-7/8"	0.23

9110HD

TWO HOLE HOLD DOWN CLAMP

Material: Electro-galvanized carbon steel. SST 316 & 304



Pipe Size	HS (in.)	CL (in.)	Weight Each (lbs)
1/2"	5/16"	15/16"	.23
3/4"	5/16"	1"	.26
1"	5/16"	1-1/8"	.31
1-1/4"	5/16"	1-5/16"	.35
1-1/2"	5/16"	1-7/16"	.39
2"	7/16"	2-1/8"	.94
2-1/2"	7/16"	2-3/8"	1.14
3"	7/16"	2-11/16"	1.33
3-1/2"	7/16"	2-15/16"	1.52
4"	9/16"	3-3/16"	1.76
5"	9/16"	3-3/4"	1.98
6"	9/16"	4-1/4"	2.25