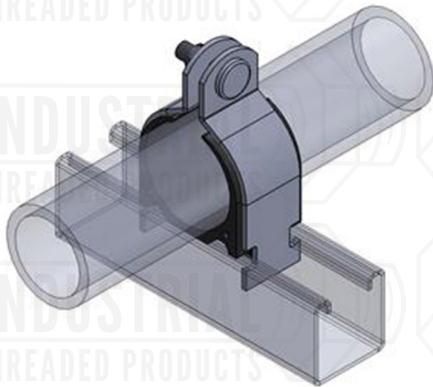


8500

CUSHION STRUT CLAMP

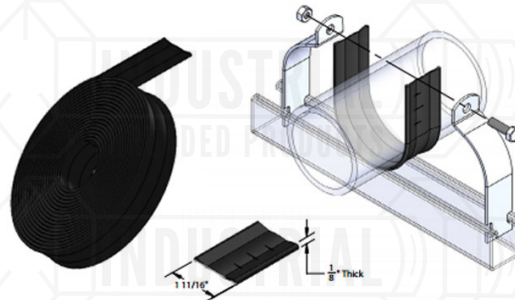


**Material:** Electro-galvanized steel with thermoplastic insulating liner.  
 Also available in IPS sizes.  
 Also available in 316 stainless steel.

OD Size	Nom. Tube Size	Weight Each (lbs)
1/4"	1/8"	0.110
3/8"	1/4"	0.110
1/2"	3/8"	0.110
5/8"	1/2"	0.120
3/4"	5/8"	0.130
7/8"	3/4"	0.200
1"	7/8"	0.210
1-1/8"	1"	0.275
1-1/4"	1-1/8"	0.292
1-3/8"	1-1/4"	0.310
1-1/2"	1-3/8"	0.354
1-5/8"	1-1/2"	0.400
1-3/4"	1-5/8"	0.413
1-7/8"	1-3/4"	0.425
2"	1-7/8"	0.454
2-1/8"	2"	0.483
2-3/8"	2-1/4"	0.600
2-5/8"	2-1/2"	0.610
3-1/8"	3"	0.650
4-1/8"	4"	0.900

8550

CUSHION PIPE WRAP



**Material:** Elastomer (EPDM)  
**Dimensions:** 1/8" thick x 1-11/16" wide.  
**Weight:** 2.50 lbs per roll.

**Note:** This cushion wrap is designed for use with HVAC, refrigeration and hydraulic lines. Wrap can be cut to size for any pipe material and size. It provides protection from galvanic action between dissimilar metals, as well as absorbs sound and vibration between pipe and mounting materials.  
 Service temperature -70° to +300° fahrenheit.