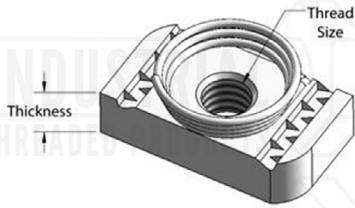


8150

TOP SPRING STRUT NUT



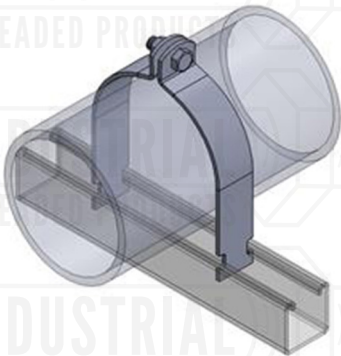
Rod (Thread) Size	Thickness	Weight Each (lbs)
#8-32	1/4"	0.07
#10-24		0.07
#10-32		0.07
1/4"		0.07
5/16"	3/8"	0.10
3/8"		0.10
1/2"		0.12

Material: Electro-galvanized carbon steel. Also available in 316 stainless steel.

Note: Not to be used on 13/16" or 1" strut.

8200 & 8200SS

RIGID IPS STRUT CLAMP ASSEMBLED



Pipe Size	Pipe OD	Max Rec Load (lbs)	Weight Each (lbs)
3/8"	0.675	400	0.10
1/2"	0.840		0.10
3/4"	1.050	600	0.15
1"	1.315		0.17
1-1/4"	1.660		0.18
1-1/2"	1.900	800	0.29
2"	2.375		0.34
2-1/2"	2.875		0.40
3"	3.500		0.47
3-1/2"	4.000	1000	0.62
4"	4.500		0.67
5"	5.563		0.80
6"	6.625		1.02
8"	8.625		1.30
10"	10.750		1.43
12"	12.750	1.75	

Material: 8200-Electro-galvanized carbon steel 8200SS-304 stainless steel

Also available in 316 stainless steel.