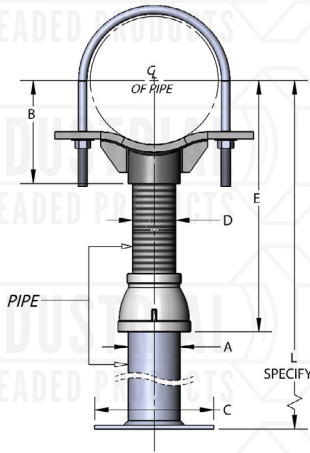


FIG. 427
ADJUSTABLE PIPE SADDLE SUPPORT WITH U-BOLT



Material: Carbon steel saddle, nipple and u-bolt with special cast iron reducing coupling, also available in 304 and 316 stainless steel.

Finish: Plain, galvanized or painted.

Service: Designed to be used in conjunction with a base stand to support horizontal pipe. Straight cut pipe thread on nipple provides adjustability, u-bolt secures pipe to saddle.

Ordering: Specify size, figure number and finish. Base stand ordered separately. Requires accurate center line of pipe to floor dimension ("L").

Notes: Adjustable pipe saddle supports with u-bolts are available in stainless steel.

PIPE SIZE	PIPE SIZE A	B	C	D	DIMENSION E		WGT EACH	
					MIN	MAX	COMPLETE	SADDLE ONLY
2 1/2	2 1/2	3 7/16	8	1 1/2	8	13	9.00	4.80
3	2 1/2	3 11/16	8	1 1/2	8 1/4	13 1/4	9.20	5.00
3 1/2	2 1/2	3 15/16	8	1 1/2	8 1/2	13 1/2	9.40	5.20
4	3	4 3/16	10	2 1/2	9 1/4	14	15.00	7.60
5	3	4 13/16	10	2 1/2	10	14 3/4	16.65	9.25
6	3	5 7/16	10	2 1/2	10 1/2	15 1/4	17.64	10.25
8	3	6 15/16	10	2 1/2	11 3/4	16 1/2	20.20	12.80
10	3	8 7/16	10	2 1/2	13 1/2	18 1/4	25.15	17.75
12	3	9 15/16	10	2 1/2	15	19 3/4	29.00	21.60
14	4	10 15/16	10	3	16 1/4	20 3/4	49.20	38.00
16	4	12 3/8	10	3	17 3/4	22 1/4	53.20	42.00
18	6	13 7/8	12	4	19 1/2	24	70.80	51.00
20	6	15 3/8	12	4	21	25 1/2	104.80	85.00
24	6	17 15/16	12	4	23 3/4	28 1/4	130.00	110.00
30	6	21 5/16	12	4	27	31 1/2	170.00	150.00
32	6	22 1/2	12	4	28 1/4	32 3/4	181.00	161.00
36	6	24 1/2	12	4	30 1/4	34 3/4	249.00	229.00

Project Information		Approval Stamp
Project:		Notes:
Address:	Contractor:	
Date:	Engineer:	
Approved <input type="checkbox"/>	Approved as Noted <input type="checkbox"/>	Not Approved <input type="checkbox"/>