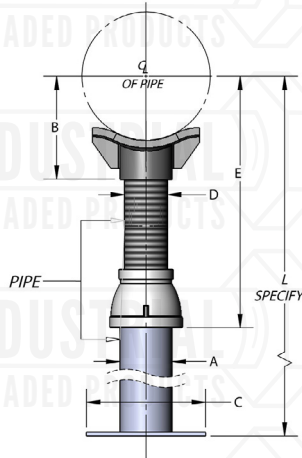


FIG. 426
ADJUSTABLE PIPE SADDLE SUPPORT



Material: Carbon steel saddle and nipple with special cast iron reducing coupling, also available in 304 and 316 stainless steel.

Finish: Plain, electro-galvanized or painted.

Service: Designed to be used in conjunction with a base stand to support horizontal pipe. Straight cut pipe thread on nipple provides adjustability.

Approvals: Complies with Federal Specification WW-H-171-E (Type# 39), A-A-1192A (Type# 38) and Manufacturers' Standardization Society MSS SP 58 and SP 69 (Type#38).

Ordering: Specify size, figure number and finish. Base stand ordered separately. Requires accurate center line of pipe to floor dimension ("L") .

Notes: Adjustable pipe saddle supports are available in stainless steel.

PIPE SIZE	PIPE SIZE A	B	C	D	DIMENSION E		WGT EACH (lbs)	
					MIN	MAX	COMPLETE	SADDLE ONLY
2 1/2	2 1/2	3 7/16	8	1 1/2	8	13	9.00	4.80
3		3 11/16			8 1/4	13 1/4	9.20	5.00
3 1/2		3 15/16			8 1/2	13 1/2	9.40	5.20
4	3	4 3/16	10	2 1/2	9 1/4	14	15.00	7.60
5		4 13/16			10	14 3/4	16.65	9.25
6		5 7/16			10 1/2	15 1/4	17.64	10.25
8		6 15/16			11 3/4	16 1/2	20.20	12.80
10		8 7/16			13 1/2	18 1/4	25.15	17.75
12	4	9 15/16	12	3	15	19 3/4	29.00	21.60
14		10 15/16			16 1/4	20 3/4	49.20	38.00
16		12 3/8			17 3/4	22 1/4	53.20	42.00
18		13 7/8			19 1/2	24	70.80	51.00
20	6	15 3/8	12	4	21	25 1/2	104.80	85.00
24		17 15/16			23 3/4	28 1/4	130.00	110.00
30		2 15/16			27	31 1/2	170.00	150.00
32		22 1/2			28 1/4	32 3/4	181.00	161.00
36		24 1/2			30 1/4	34 3/4	249.00	229.00

Project Information		Approval Stamp
Project:		Notes:
Address:	Contractor:	
Date:	Engineer:	
Approved <input type="checkbox"/>	Approved as Noted <input type="checkbox"/>	Not Approved <input type="checkbox"/>