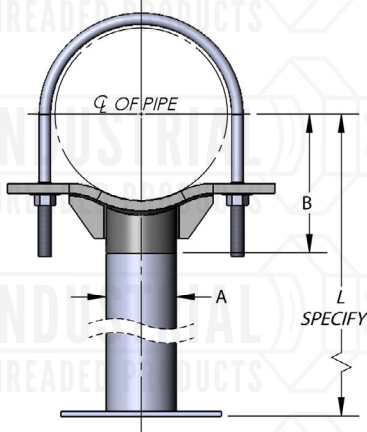




Manufactured in the USA

FIG. 425
PIPE SADDLE SUPPORT WITH U-BOLT



Material: Carbon steel, saddle, support and u-bolt. Also available in 304 and 316 stainless steel.

Finish: Plain, electro-galvanized or painted.

Service: Designed to be used in conjunction with a base stand to support pipe running close to the floor. U-bolt secures pipe to saddle.

Approvals: Complies with Federal Specification WW-H-171-E (Type# 37), A-A-1192A (Type# 36) and Manufacturers' Standardization Society MSS SP-58 and SP-69 (Type# 36).

Ordering: Specify size, figure number and finish. Base stand ordered separately. Requires accurate center line of pipe to floor dimension ("L").

PIPE SIZE	PIPE SIZE A	B	WGT EACH (lbs)
4	3	4 ³ / ₁₆	10.75
5		4 ¹³ / ₁₆	12.10
6		5 ⁷ / ₁₆	12.70
8		6 ¹⁵ / ₁₆	21.30
10		8 ⁷ / ₁₆	25.70
12	4	9 ¹⁵ / ₁₆	31.20
14		10 ¹⁵ / ₁₆	50.00
16		12 ³ / ₈	57.00
18	6	13 ⁷ / ₈	64.00
20		15 ³ / ₈	113.50
24		17 ¹⁵ / ₁₆	137.00
30		21 ¹⁵ / ₁₆	174.00
36	8	24 1/2	268.00

Project Information		Approval Stamp
Project:		Notes:
Address:	Contractor:	
Date:	Engineer:	
Approved <input type="checkbox"/>	Approved as Noted <input type="checkbox"/>	Not Approved <input type="checkbox"/>