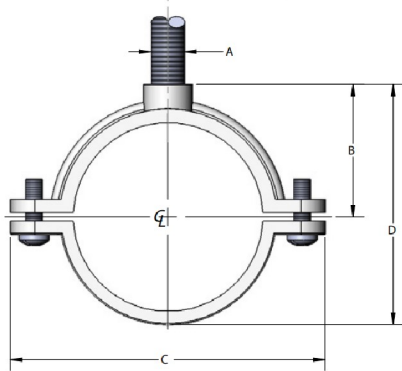




FIG. 41B
SPLIT RING HANGER



Material: 304 and 316 stainless steel.

Ordering: Specify figure number, finish, and pipe size.

Notes: Stainless steel hangers are recommended for applications where protection from a corrosive environment is required.

OD SIZE	SCREW	A	B	C	D	WGT EACH (LBS)	MAX REC LOAD (LBS)
3/8	10-24	3/8-16	9/16	1-13/16	7/8	0.07	180
1/2	10-24	3/8-16	5/8	1-13/16	1-1/16	0.08	180
5/8	10-24	3/8-16	11/16	1-15/16	1-1/16	0.09	180
3/4	10-24	3/8-16	3/4	2-1/6	1-1/4	0.09	180
7/8	10-24	3/8-16	13/16	2-1/4	1-7/16	0.12	180
1	10-24	3/8-16	15/16	2-3/8	1-9/16	0.13	180
1-1/8	10-24	3/8-16	15/16	2-9/16	1-5/8	0.14	180
1-3/8	10-24	3/8-16	1-1/8	2-7/8	1-15/16	0.15	180
1-1/2	10-24	3/8-16	1-3/16	3	2	0.16	180
1-5/8	10-24	3/8-16	1-1/4	3	2-3/16	0.18	180
2	10-24	3/8-16	1-3/8	3-7/16	2-9/16	0.23	180
2-1/8	10-24	3/8-16	1-1/2	3-9/16	2-5/8	0.25	300
2-5/8	1/4	1/2-13	2	4-11/16	3-9/16	0.40	300
3-1/8	1/4	1/2-13	2-1/4	5-13/16	4-3/16	0.77	300
4-1/8	1/4	1/2-13	2-13/16	6-3/8	5-1/4	1.20	300

Project Information		Approval Stamp
Project:		Notes:
Address:	Contractor:	
Date:	Engineer:	
Approved <input type="checkbox"/> Approved as Noted <input type="checkbox"/> Not Approved <input type="checkbox"/>		