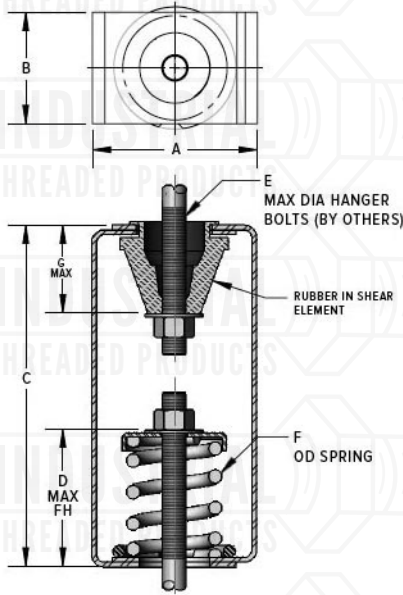


FIG. 36
VIBRATION SPRING-FLEX AND NEOPRENE
HANGER



Manufactured
in the USA



Material: Painted Carbon Steel Housing and spring with neoprene rubber element (36)

Service: Designed to isolate both noise and vibration for piping or suspended equipment.

Approvals: There are no approval options for this product.

Ordering: Specify figure number, isolator size, rod size and load.

Notes: See hanger selection guide.

ISOLATOR SIZE	RATED LOAD LBS @ 1" DEFL	SOLID LOAD (lbs)	DIMENSIONS						
			A	B	C	D	E	F	G
EMP - 1 - 15	15	27	3-1/2	2-1/2	7-1/8	3	1/2	2	1-7/8
EMP - 1 - 25	25	39	3-1/2	2-1/2	7-1/8	3	1/2	2	1-7/8
EMP - 1 - 50	50	83	3-1/2	2-1/2	7-1/8	3	1/2	2	1-7/8
EMP - 1 - 100	100	160	3-1/2	2-1/2	7-1/8	3	1/2	2	1-7/8
EMP - 1 - 150	150	242	3-1/2	2-1/2	7-1/8	3	1/2	2	1-7/8
EMP - 1 - 200	200	293	3-1/2	2-1/2	7-1/8	3	1/2	2	1-7/8
EMP - 1 - 300	300	442	3-1/2	2-1/2	7-1/8	3	1/2	2	1-7/8
EMP - 1 - 400	400	585	3-1/2	2-1/2	7-1/8	3	1/2	2	21-7/8
EMP - 1 - 500	500	782	4-1/2	4-7/8	11	4-3/8	3-1/4	3-1/4	2-3/8
EMP - 1 - 600	600	925	4-1/2	4-7/8	11	4-3/8	3-1/4	3-1/4	2-3/8
EMP - 1 - 800	800	1257	4-1/2	4-7/8	11	4-3/8	3-1/4	3-1/4	2-3/8
EMP - 1 - 1000	1000	1565	4-1/2	4-7/8	11	4-3/8	3-1/4	3-1/4	2-3/8
EMP - 1 - 1200	1200	1829	4-1/2	4-7/8	11	4-3/8	1	3-1/4	2-3/8
EMP - 1 - 1400	1400	2131	4-1/2	4-7/8	11	4-3/8	1	3-1/4	2-3/8
EMP - 1 - 1600	1600	2419	4-1/2	4-7/8	11	4-3/8	1	3-1/4	2-3/8
EMP - 1 - 1800	1800	2662	4-1/2	4-7/8	11	4-3/8	1	3-1/4	2-3/8

Project Information		Approval Stamp
Project:		Notes:
Address:	Contractor:	
Date:	Engineer:	
Approved <input type="checkbox"/>	Approved as Noted <input type="checkbox"/>	Not Approved <input type="checkbox"/>