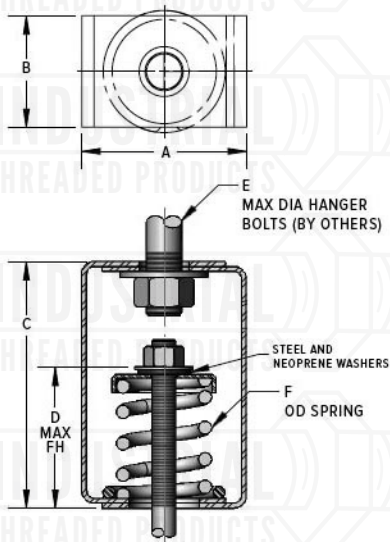


**FIG. 35**  
**VIBRATION SPRING-FLEX HANGER**



Manufactured  
in the USA



**Material:** Painted Carbon Steel Housing with Steel Spring (35)  
**Service:** Designed to isolate low frequency vibrations for piping or suspended equipment. Typical applications include fans, duct work, air handling units, piping, and suspended ceilings.  
**Approvals:** There are no approval options for this product.  
**Ordering:** Specify figure number, isolator size, rod size and load.  
**Notes:** See hanger selection guide.

ISOLATOR SIZE	RATED LOAD LBS @ 1" DEFL	SOLID LOAD (lbs)	DIMENSIONS					
			A	B	C	D	E	F
EMP - 1 - 15	15	27	3-1/2	2-1/2	5-5/8	3-1/8	1/2	2
EMP - 1 - 25	25	39	3-1/2	2-1/2	5-5/8	3-1/8	1/2	2
EMP - 1 - 50	50	83	3-1/2	2-1/2	5-5/8	3-1/8	1/2	2
EMP - 1 - 100	100	160	3-1/2	2-1/2	5-5/8	3-1/8	1/2	2
EMP - 1 - 150	150	242	3-1/2	2-1/2	5-5/8	3-1/8	1/2	2
EMP - 1 - 200	200	293	3-1/2	2-1/2	5-5/8	3-1/8	1/2	2
EMP - 1 - 300	300	442	3-1/2	2-1/2	5-5/8	3-1/8	1/2	2
EMP - 1 - 400	400	585	3-1/2	2-1/2	5-5/8	3-1/8	1/2	2
EMP - 1 - 500	500	782	4-1/2	3-1/2	10-1/8	4-5/8	1	3-1/4
EMP - 1 - 600	600	925	4-1/2	3-1/2	10-1/8	4-5/8	1	3-1/4
EMP - 1 - 800	800	1257	4-1/2	3-1/2	10-1/8	4-5/8	1	3-1/4
EMP - 1 - 1000	1000	1565	4-1/2	3-1/2	10-1/8	4-5/8	1	3-1/4
EMP - 1 - 1200	1200	1829	4-1/2	3-1/2	10-1/8	4-5/8	1	3-1/4
EMP - 1 - 1400	1400	2131	4-1/2	3-1/2	10-1/8	4-5/8	1	3-1/4
EMP - 1 - 1600	1600	2419	4-1/2	3-1/2	10-1/8	4-5/8	1	3-1/4
EMP - 1 - 1800	1800	2662	4-1/2	3-1/2	10-1/8	4-5/8	1	3-1/4

Project Information		Approval Stamp
Project:		Notes:
Address:	Contractor:	
Date:	Engineer:	
Approved <input type="checkbox"/>	Approved as Noted <input type="checkbox"/>	Not Approved <input type="checkbox"/>