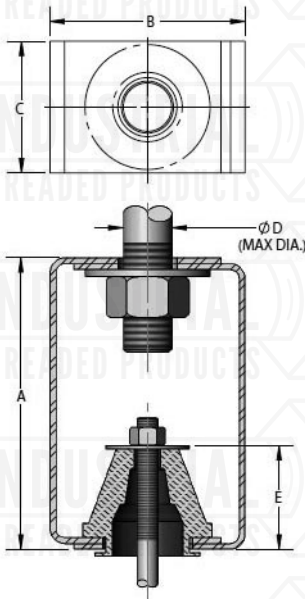


FIG. 34
VIBRATION HANGER-NEOPRENE



Manufactured
in the USA



Material: Painted Carbon Steel Housing with Neoprene Rubber Element (34)

Service: Designed for effective vibration isolation for piping or suspended equipment. Typical applications include fans, air handling units, piping and suspended ceilings.

Approvals: There are no approval options for this product.

Ordering: Specify figure number, isolator size, rod size and load.

Notes: See hanger selection guide.

ISOLATOR SIZE	MAX REC LOAD (lbs)	DEFLECTION	DIMENSIONS				
			A	B	C	D	E
EMP - 1 - A	60	0.50	4	2-7/8	2-1/2	1/2	1-7/8
EMP - 1 - B	130	0.50	4	2-7/8	2-1/2	1/2	1-7/8
EMP - 1 - C	250	0.50	4	2-7/8	2-1/2	1/2	1-7/8
EMP - 1 - D	430	0.50	4	2-7/8	2-1/2	1/2	1-7/8
EMP - 2 - A	380	0.50	5-1/2	3-3/4	4	3/4	2-3/8
EMP - 2 - B	520	0.50	5-1/2	3-3/4	4	3/4	2-3/8
EMP - 2 - C	840	0.50	5-1/2	3-3/4	4	3/4	2-3/8
EMP - 2 - D	1070	0.50	5-1/2	3-3/4	4	3/4	2-3/8
EMP - 3 - A	750	0.50	6-1/4	4-1/4	5-3/8	1	2-3/8
EMP - 3 - B	1350	0.50	6-1/4	4-1/4	5-3/8	1	2-3/8
EMP - 3 - C	1800	0.50	6-1/4	4-1/4	5-3/8	1	2-3/8
EMP - 3 - D	3050	0.50	6-1/4	4-1/4	5-3/8	1	2-3/8

Project Information		Approval Stamp
Project:		Notes:
Address:	Contractor:	
Date:	Engineer:	
Approved <input type="checkbox"/>	Approved as Noted <input type="checkbox"/>	Not Approved <input type="checkbox"/>