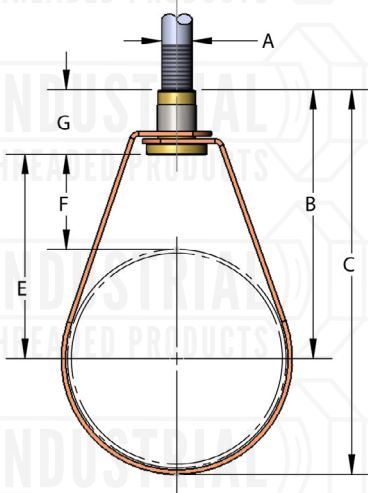




Manufactured
in the USA
Excluding 310CTI

FIG. 310CT
COPPER TUBING "EMLOK" ADJUSTABLE
SWIVEL RING HANGER

FIG. 310CTI
EPOXY COATED (COPPER-GARD)
COPPER TUBING "EMLOK"
ADJUSTABLE SWIVEL RING HANGER



Material: Carbon steel.
Finish: Copper plated (310CT) or Copper epoxy coated (COPPER-GARD).
Service: Designed for the suspension of non-insulated, stationary copper lines.
Approvals: Complies with Federal Specification WW-H-171-E (Type# 10), A-A-1192A (Type# 10) and Manufacturers' Standardization Society MSS SP-58 and SP-69 (Type# 10).
Ordering: Specify tubing size and figure number.

TUBE SIZE	TUBE OD	MATERIAL SIZE	A	B	C	E	F	G	WGT EACH (lbs)	MAX REC LOAD (lbs)
1/2	0.625	18ga x .625	3/8	2 11/16	3	1 13/16	1 1/2	7/8	0.07	300
3/4	0.875			2 1/2	2 15/16	1 5/8	1 3/16		0.07	300
1	1.125			2 7/16	3	1 9/16	1		0.07	300
1 1/4	1.375			2 1/2	3 3/16	1 5/8	15/16		0.08	300
1 1/2	1.625			2 9/16	3 3/8	1 11/16	7/8		0.085	300
2	2.125			3 5/16	4 3/8	2 7/16	1 3/8		0.1	300
2 1/2	2.625	14ga x 1.00	1/2	3 7/8	5 9/16	2 13/16	1 1/2	1 1/16	0.31	525
3	3.125			4 3/16	5 3/4	3 1/8	1 9/16		0.345	525
3 1/2	3.625			4 9/16	6 3/8	3 1/2	1 11/16		0.375	525
4	4.125			4 13/16	6 15/16	3 3/4	1 11/16		0.41	650
5	5.125			5 3/16	7 13/16	4 1/8	1 9/16		0.475	1000
6	6.125			5 11/16	8 15/16	4 5/8	1 9/16		0.53	1000

Project Information		Approval Stamp
Project:		Notes:
Address:	Contractor:	
Date:	Engineer:	
Approved <input type="checkbox"/>	Approved as Noted <input type="checkbox"/>	Not Approved <input type="checkbox"/>