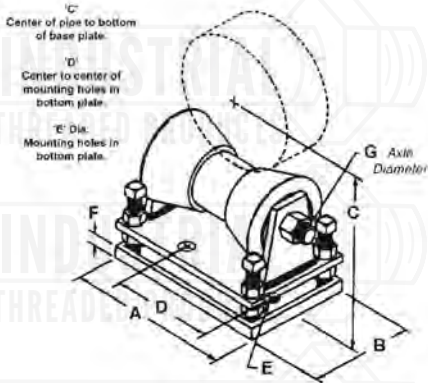




**FIG. 280S ADJUSTABLE PIPE ROLL STAND, CARBON STEEL**

**FIG. 280SS ADJUSTABLE PIPE ROLLER STAND, 304 STAINLESS STEEL**



**Material:** Carbon steel chair base plate and axle with cast iron roller.

**Finish:** Plain, galvanized or painted.

**Service:** Designed for the support of pipe where longitudinal movement may occur due to expansion and contraction, and where vertical adjustment is necessary.

**Approvals:** Complies with Federal Specification WW-H-171-E (Type# 47), A-A-1192A (Type# 46) and Manufacturers' Standardization Society MSS SP-58 and SP-69 (Type# 46).

**Ordering:** Specify roller size, figure number and finish. Please remember to consider insulation thickness when sizing rollers.

**Notes:** \*Stainless steel adjustable roller chair supports are recommended for applications where protection from corrosive environments is needed.

**Available domestic**

PIPE SIZE	A	B	C MIN	C MAX	D	E	F	G	WGT EACH (lbs)	MAX REC LOAD (lbs)
2	6 7/8	6	4 3/4	5 5/8	3 7/8	1	1	1/2	11.00	390
2 1/2	6 7/8	6	5	5 7/8	3 7/8	1	1	1/2	11.00	390
3	6 7/8	6	55/16	6 9/16	3 7/8	1	1	1/2	11.00	390
3 1/2	6 7/8	6	59/16	6 7/16	3 7/8	1	1	1/2	11.00	390
4	8 1/2	6	63/16	7 7/16	5 1/8	1	1	1/2	13.10	950
5	8 1/2	6	63/4	8	5 1/8	1	1	1/2	13.10	950
6	8 1/2	6	7 1/4	8 1/2	5 1/8	1	1	1/2	13.10	950
8	10 1/2	7 1/2	10 1/8	11 11/16	7 3/8	1	1	3/4	29.00	2100
10	10 1/2	7 1/2	11 3/16	12 3/4	7 3/8	1	1	3/4	29.00	2100
12	12 1/2	8 1/4	12 3/4	14 1/8	9 1/2	1	1	7/8	40.00	3075
14	12 1/2	8 1/4	13 3/8	14 3/8	9 1/2	1	1	7/8	40.00	3075
16	14 5/8	10	15 3/8	17 1/4	11 1/8	1	1	1 1/8	63.84	4980
18	14 5/8	10	16 3/8	18 1/4	11 1/8	1	1	1 1/8	63.84	4980
20	14 5/8	10	17 3/8	19 1/4	11 1/8	1	1	1 1/8	63.84	4980
24	15 3/4	10	19 1/4	21 1/4	12 1/4	1	1	1 1/4	71.00	6100
30	19 1/2	10 3/4	24 7/16	26 11/16	15 3/4	1	1 1/2	1 3/4	125.28	7500

Project Information		Approval Stamp
Project:		Notes:
Address:	Contractor:	
Date:	Engineer:	
Approved <input type="checkbox"/>	Approved as Noted <input type="checkbox"/>	Not Approved <input type="checkbox"/>