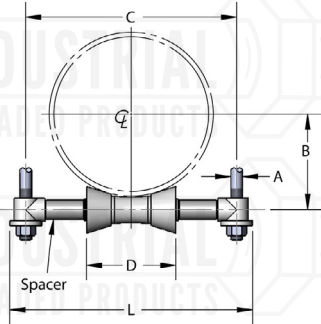




FIG. 277SS
ADJUSTABLE TWO-ROD ROLLER HANGER,
316 STAINLESS STEEL



Material: All 316 stainless steel construction.

Service: Designed for the suspension of pipe where longitudinal movement of pipe may occur due to expansion and contraction and where vertical adjustment may be necessary. Excellent corrosion resistance.

Approvals: Complies with Federal Specification WW-H-171-E (Type# 42), A-A-1192A (Type# 41) and Manufacturers' Standardization Society MSS SP-58 and SP-69 (Type# 41).

Ordering: Specify roller size and figure number. Please remember to consider insulation thickness when sizing rollers.

Size No.	A	B	C	D	L	Cross Rod Dia.
4	3/4	2 13/16	6 3/4	3 3/4	8 9/16	3/4
6	3/4	3 15/16	9 9/16	3 3/4	11 7/16	3/4
8	7/8	5 1/4	11 15/16	6	14 1/8	7/8
10	7/8	6 3/8	14 1/16	6	16 1/4	7/8
12	1	7 7/16	16 5/16	8	19 3/4	1 1/8
14	1	8 3/16	17 3/4	8	20 3/16	1 1/8
16	1 1/4	9 5/16	20 3/4	9	23 9/16	1 1/4
18	1 1/4	10 3/8	21 7/8	9	24 5/8	1 1/4
20	1 1/4	11 5/16	24 1/4	9	27 1/16	1 1/4

Project Information		Approval Stamp
Project:		Notes:
Address:	Contractor:	
Date:	Engineer:	
Approved <input type="checkbox"/>	Approved as Noted <input type="checkbox"/>	Not Approved <input type="checkbox"/>