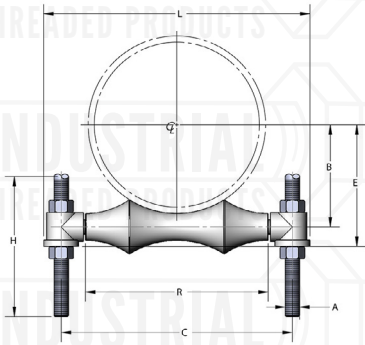


FIG. 273
ADJUSTABLE TWO-ROD ROLLER SUPPORT



Material: Carbon steel axles and rods with cast iron rollers and sockets. Axles & Rods also available in stainless steel.

Finish: Plain, electro-galvanized or painted.

Service: Designed for the support of pipe where longitudinal movement may occur due to expansion and contraction and vertical adjustment of up to 6 inches may be necessary.

Ordering: Specify roller size, figure number and finish. Please remember to consider insulation thickness when sizing rollers.

Notes: Available domestic

PIPE ROLLER SIZE	PIPE OD	AXLE SIZE	A	B	C	E	H	L	R	WGT EACH (lbs)	MAX REC LOAD (lbs)
2	2.375	3/8	3/8	19/16	4 3/8	2 3/16	12	5 5/8	2 7/8	1.450	600
2 1/2	2.875	1/2	1/2	1 7/8	5 1/8	2 5/8	12	6 1/2	3 1/8	2.535	600
3	3.500	1/2	1/2	2 1/8	5 5/8	2 7/8	12	7	3 3/4	2.735	700
3 1/2	4.000	1/2	1/2	2 1/2	5 7/8	3 1/4	12	7 1/4	3 7/8	2.850	750
4	4.500	1/2	5/8	2 13/16	7	3 13/16	12	8 9/16	4 3/4	4.320	750
5	5.563	5/8	5/8	3 3/8	8 1/8	4 3/8	12	9 3/4	5 3/4	4.780	750
6	6.625	3/4	3/4	3 15/16	9 3/4	4 15/16	12	11 5/8	6 7/8	7.705	1070
7	7.625	3/4	3/4	4 1/2	10 1/2	5 1/4	12	12 1/2	8	8.410	1070
8	8.625	7/8	7/8	5 1/8	12 1/8	6 3/8	12	14 1/4	8 7/8	12.205	1350
10	10.750	7/8	7/8	6 1/4	14	7 1/2	12	16 1/4	11	13.950	1730
12	12.750	7/8	7/8	7 5/16	15 3/4	8 9/16	12	18	13	17.930	2400
14	14.000	1 1/8	1	8 3/8	17 3/4	9 13/16	18	20 1/2	14 1/4	27.545	3130
16	16.000	1 1/4	1	9 1/2	20 9/16	10 15/16	18	23 3/8	16 7/8	33.340	3970
18	18.000	1 1/4	1	10 7/16	22	11 7/8	18	24 7/8	18 5/16	36.000	4200
20	20.000	1 1/4	1 1/4	11 1/2	24	13 3/8	18	27	20 1/4	46.600	4550
24	24.000	1 1/2	1 1/2	13 13/16	28 3/4	16 1/6	24	32	24 1/4	81.220	6160
30	30.000	1 3/4	1 1/2	17 1/4	35 5/8	19 5/8	24	39 3/4	30 1/4	109.220	7290

Project Information		Approval Stamp
Project:		Notes:
Address:	Contractor:	
Date:	Engineer:	
Approved <input type="checkbox"/>	Approved as Noted <input type="checkbox"/>	Not Approved <input type="checkbox"/>