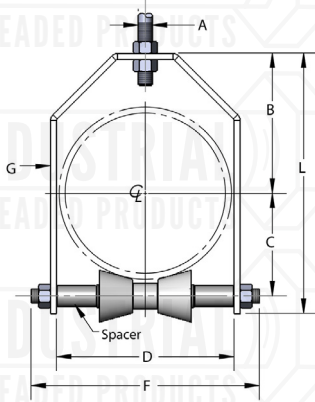




FIG. 272SS
ADJUSTABLE ROLLER HANGER, 316 STAINLESS STEEL



Material: All 316 stainless steel construction.

Service: Designed for the suspension of pipe where longitudinal movement of pipe may occur due to expansion and contraction and where vertical adjustment may be necessary. Excellent corrosion resistance.

Approvals: Complies with Federal Specification WW-H-171-E (Type# 44), A-A-1192A (Type# 43) and Manufacturers' Standardization Society MSS SP-58 and SP-69 (Type# 43).

Ordering: Specify roller size and figure number. Please remember to consider insulation thickness when sizing rollers.

Size No.	A	B	C	D	F	G	L	Cross Rod Dia.
4	5/8	5 3/16	2 13/16	4 7/8	6 1/2	1/4 x 2	9 1/4	3/4
6	3/4	6 7/16	3 15/16	7	9 1/2	1/4 x 2	11 5/8	
8	7/8	7 1/2	5 1/4	9	11 7/8	3/8 x 2	14	7/8
10		8 3/4	6 3/8	11	14 1/4	3/8 x 2 1/2	16 1/2	
12		10 1/16	7 7/16	13	16 1/4	1/2 x 2	18 7/8	
14	1	10 15/16	8 3/16	14 1/4	18	1/2 x 2 1/2	20 5/8	1 1/8
16		12 13/16	9 5/16	16 1/4	21	1/2 x 3	24 3/8	
18		13 3/4	10 3/8	18 1/4	22 7/8	1/2 x 3	26 1/8	1 1/4
20		15 1/16	11 5/16	20 1/4	25 1/2	5/8 x 3	28 11/16	

Project Information		Approval Stamp
Project:		Notes:
Address:	Contractor:	
Date:	Engineer:	
Approved <input type="checkbox"/>	Approved as Noted <input type="checkbox"/>	Not Approved <input type="checkbox"/>