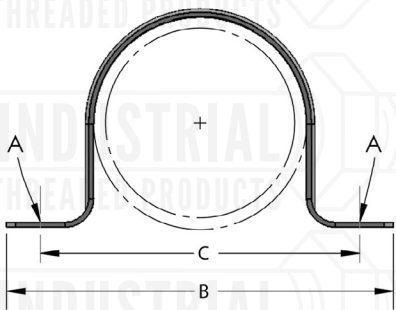




**FIG. 231  
TWO HOLE PIPE STRAP**



**Material:** Pre-galvanized carbon steel.  
**Finish:** Pre-galvanized.  
**Service:** Designed as a light duty support of schedule 40/80 sized pipe. Attaches directly to horizontal or vertical structural member.  
**Ordering:** Specify pipe size and figure number.  
**Notes:** Available domestic

| PIPE SIZE | PIPE OD | MATERIAL SIZE | A HOLE SIZE | B      | C     | WGT EACH (lbs) |
|-----------|---------|---------------|-------------|--------|-------|----------------|
| 1/4       | 0.540   | 22ga x 3/4    | 7/32        | 2 1/8  | 1 1/4 | 0.01           |
| 3/8       | 0.675   | 22ga x 3/4    |             | 2 1/4  | 1 1/2 | 0.03           |
| 1/2       | 0.840   | 18ga x 3/4    |             | 2 5/8  | 1 7/8 | 0.04           |
| 3/4       | 1.050   | 18ga x 3/4    |             | 2 3/4  | 2     | 0.07           |
| 1         | 1.315   | 16ga x 1      | 9/32        | 3 3/8  | 2 5/8 | 0.09           |
| 1 1/4     | 1.660   | 16ga x 1      |             | 4 1/4  | 3 1/4 | 0.10           |
| 1 1/2     | 1.900   | 15ga x 1      |             | 4 3/8  | 3 3/8 | 0.13           |
| 2         | 2.375   | 14ga x 1      |             | 5      | 4     | 0.18           |
| 2 1/2     | 2.875   | 12ga x 1      | 1 1/32      | 6 1/4  | 4 3/4 | 0.26           |
| 3         | 3.500   | 12ga x 1      |             | 7 1/4  | 5 3/4 | 0.32           |
| 4         | 4.500   | 12ga x 1      |             | 8 3/8  | 6 7/8 | 0.40           |
| 6         | 6.625   | 12ga x 1 1/4  |             | 11 1/8 | 9 5/8 | 0.75           |

| Project Information               |  | Approval Stamp                        |
|-----------------------------------|--|---------------------------------------|
| Project:                          |  | Notes:                                |
| Address:                          | Contractor:                                |                                       |
| Date:                             | Engineer:                                  |                                       |
| Approved <input type="checkbox"/> | Approved as Noted <input type="checkbox"/> | Not Approved <input type="checkbox"/> |