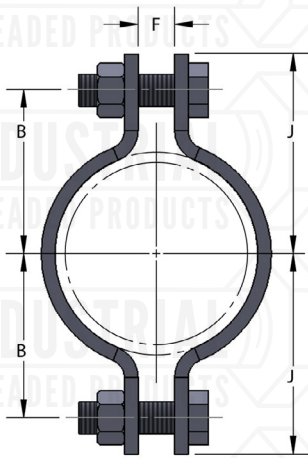




FIG. 216
HEAVY DUTY TWO-BOLT PIPE CLAMP



Manufactured
in the USA



No Spacer Supplied

Material/Finish: Carbon steel 304 stainless steel 316 stainless steel
Plain electro-galvanized

Service: Designed for the suspension of cold or hot pipe lines with heavy loads where no insulation is required.

Approvals: Complies with Federal Specifications WW-H-171-E (Type# 4), A-A-1192 A (Type# 4), and MSS SP-58 and SP-69 (Type# 4).

Ordering: Specify pipe size, figure number and finish.

Notes: Available in 304 and 316 stainless and alloy steel.

PIPE SIZE	PIPE OD	MATERIAL SIZE	BOLT	B	F	J	WEIGHT EACH (lbs)	MAX REC LOAD (lbs)	
								650°F	750°F
3	3.500	1/4 x 1 1/2	3/4	3 1/8	1	4	2.67	3300	3235
3 1/2	4.000	1/4 x 1 1/2	3/4	3 5/16	1	4 3/16	3.36	3300	3235
4	4.500	3/8 x 2	7/8	3 3/4	1	4 7/8	5.93	3515	3135
5	5.563	3/8 x 2	7/8	4 3/8	1	5 1/2	6.56	3515	3135
6	6.625	1/2 x 2 1/2	1	5 1/4	1 1/8	6 5/8	12.40	4865	4340
8	8.625	1/2 x 2 1/2	1	6 1/4	1 1/8	7 5/8	14.66	4865	4340
10	10.750	5/8 x 2 1/2	1 1/4	7 11/16	1 1/4	9 1/16	24.07	6010	5360
12	12.750	3/4 x 3	1 1/2	9 1/4	1 5/8	10 7/8	40.95	8675	7740
14	14.000	3/4 x 4	1 1/2	10		11 7/8	55.50	9120	8135
16	16.000	3/4 x 4	1 1/2	11	1 5/8	12 7/8	59.40	9120	8135
18	18.000	3/4 x 6	2	12 3/16		14 5/16	70.12	9150	8160
20	20.000	1 x 5	2	13 5/16	1 5/8	15 7/16	74.68	9150	8160
24	24.000	1 x 6	2	15 3/8	1 3/4	17 3/4	126.29	9200	8205

Project Information		Approval Stamp
Project:		Notes:
Address:	Contractor:	
Date:	Engineer:	
Approved <input type="checkbox"/>	Approved as Noted <input type="checkbox"/>	Not Approved <input type="checkbox"/>